



technical specifications BQ211

general

- Double-tuned, quarter-wave loaded high-impact subwoofer system
- 21" woofer with all-carbon cone for high pressure loading
- Large, rounded vent for improved breathing and low compression
- Force-ventilated 5.3" voice-coil for low power compression prolonged performance
- SIS™ pre-wired for very high damping and further reduced distortion (with ALC)
- Front-positioned NL4 connector for easy cardioid connection



description

The BQ211 is a quarter-wave loaded subwoofer system, extending the low frequency response of Alcons' pro-ribbon systems, in both permanent and portable applications. Featuring a state-of-the-art 21" Neodymium transducer, this subwoofer is designed to offer maximum, prolonged high impact SPL performance from a relative small footprint. For this, the latest materials and innovations have been applied: A very large displacement transducer with all-carbon fiber cone + dust cap, 5.3" voice-coil with vented triple-spider frame plus optimized low resistance impedance, and port-vented magnet structure to maximally reduce power compression.

The extensively internally-braced cabinet features double-tuned, high-pressure loading, through a rounded 236 mm/9.3" diameter low-tuned bass-reflex vent and a wide, high-tuned quarter wave tunnel. This provides optimised breathing at high SPLs, yet keeping the total system weight to a minimum. Slider feet on cabinet bottom and side enable stacking of multiple BQ211's into vertical LF arrays: The additional front-positioned NL4 connector caters for easy "reverse connection" in cardioid arrays.

The BQ211 is driven and controlled by the ALC amplified loudspeaker controller, for maximum sound

quality and output power with long-term operation reliability. The integrated factory presets in the drive processor of the ALC offer gain, phase and filtering matching with all Alcons top systems.

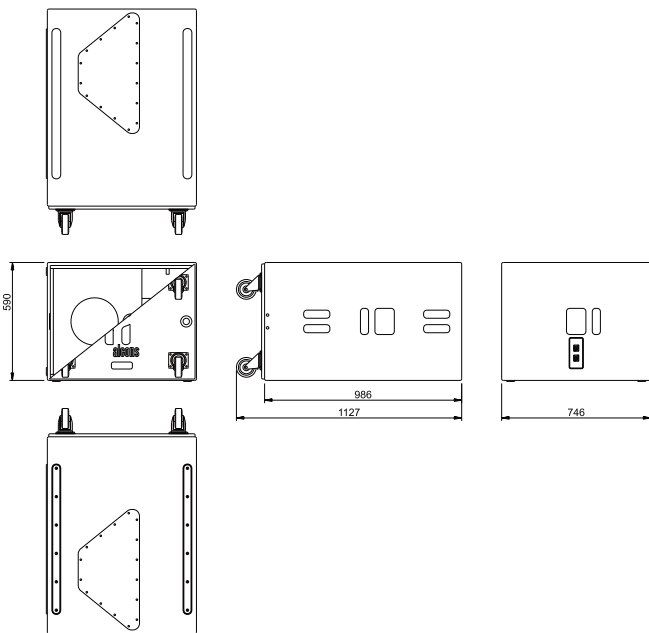
The BQ211 is SIS™ pre-wired: Through the Signal Integrity Sensing circuit of the ALC, the cable-length and connector resistance between the BQ211 and

ALC is dynamically compensated (system damping factor 10.000), further reducing distortion, while increasing response accuracy.

The BQ211 is available in road-version and installation ("i") version, without handles and wheel dolly board. Through the Architect Color Option™ program, the BQ211i can be finished in any RAL™ color.

technical specifications BQ211

dimensional drawing



technical specifications

Frequency response	34 Hz - 150 Hz	(+/- 3 dB)
	28 Hz -	(+/-10 dB)
Sensitivity nominal	100 dB (40 - 100 Hz)	
Nominal impedance	4 ohms	
Recommended drive	Sentinel10	
Nominal SPL peak	134 dB (Sentinel10 40 - 100 Hz)	
	139 dB (comparative)	
Dispersion H x V	omni / (hyper)cardioid in array with processing	

physical specifications

System	subwoofer, bass-reflex + quarter wave pipe	
Drivers LF	1x AW21. 6NDC-4 21", double vented	
Connectors	3x Speakon NL4 input/link (2 rear, 1 front)	
Physical dimensions	mm	inches
	Height	590 23,2
	Width	746 29,4
	Depth	986 38,8
Weight (approx.)	kg	lb
	BQ211	73 161*
BQ211i	64 141,1	
Warranty	6 years limited	
	* incl. wheel board	

A: Alcons Audio B.V
De Corantijn 69
1689 AN Zwaag
The Netherlands

E: info@alconsaudio.com
W: www.alconsaudio.com
T: +31 (0) 229 28 30 90
F: +31 (0) 229 28 30 99