



technical specifications CCS12

general

- 12" woofer with 2" compression driver in co-axial configuration
- High power handling; 430W. continuous (AES)
- 80° conical dispersion
- Low impedance for efficient amplifier loading
- Available in 2 different versions CCS12, CCS12S
- Ideal for immersive ceiling surround or acoustical enhancement systems

description

The CCS12 is a passive-filtered 2-way full range loudspeaker, designed for multi-channel acoustical enhancement and (immersive) surround applications. The CCS12 features a 12" high quality, bass-reflex-loaded woofer with a 3" voice-coil, placed in an optimally-tuned cabinet for extended low-frequency response. The high-frequencies are taken care of by a 2"-exit compression-driver coaxially mounted on the woofer.

A high-quality passive 2-way crossover network matches the two components, allowing 430W of continuous (AES) power input, making the CCS12 deliver exceptional performance from a relative compact sized system.

The 4 ohms system impedance makes for a very efficient amplifier loading, enabling the use of smaller rated amplifier output stages for maximum system



drive in individually-amplified immersive surround applications.

The coaxial speaker arrangement creates a true point-source catering for a very smooth LF/HF blending in all directions, both on-axis as well as off-axis. This is an ideal solution in ceiling-mounted surround applications.

The 10-degree slanted baffle design (CCS12) provides for a low profile in wall mounted applications.

The enclosure design has the exact same face-print as the CRS12, CRS12GT60 and CRS12GT90 surrounds, while the overall design matches the other Alcons surrounds as well. Even in an assembled surround configuration of different systems, there's a consistent, unobtrusive appearance.

The CCS12 is also available with a straight, non-slanted ultra-shallow cabinet for ceiling-mounted applications (or when pre-tilt is not required) as CCS12S

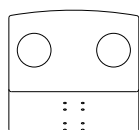
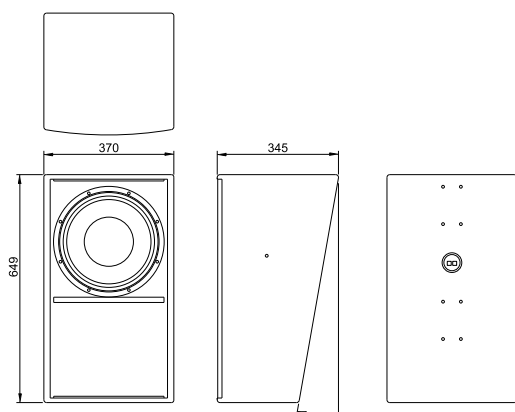
Multiple options are provided for ceiling and wall mounting; The CCS12 can be wall-mounted with the BRKCS12 tilt U-bracket or wall- and ceiling mounted with most commonly-applied brackets.

For full system performance, CCS12 is to be used in combination with an ALC amplified controller. Driven by the ALC, the CCS12 delivers maximum sound quality and output power with inaudible (power and excursion) protection.

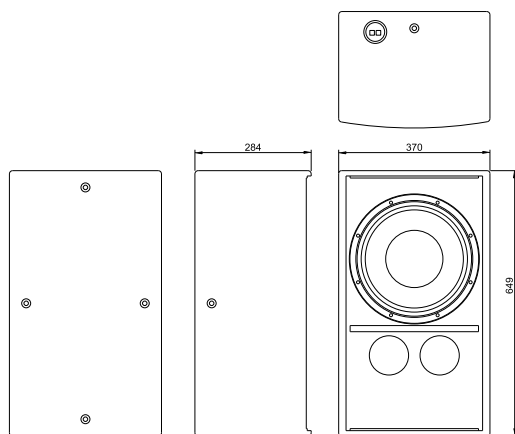
The CCS12 is prepared for a universal bracket, with pattern: 4x M8 - 2"x 4.25" (51x108mm).

technical specifications CCS12

dimensional drawing



CCS12



CCS12S

technical specifications

Frequency response	59 Hz – 20 kHz (+/- 3 dB)
	47 Hz - (+/-10 dB)
Sensitivity nominal	102 dB (200 Hz – 10 kHz)
Nominal impedance	4 ohms
Recommended drive	Sentinel3 min., max. 1 pce. per channel (4 ohms)
Nominal SPL peak	130 dB Sentinel3 (200 Hz – 10 kHz)
	136 dB Sentinel10 (200 Hz – 10 kHz)
Dispersion H x V	80° conical (nom.)

physical specifications

System	2-way, full-range	
Filtering	passive	
Drivers LF	1x AMB12-4, vented	
Drivers HF	1x ACD2 compression driver, co-axially mounted	
Connectors	spring-loaded terminals	
Physical dimensions	mm	inches
Height	649	25.6
Width	370	14.6
Depth	345, 284 (S)	13.6, 11.2 (S)
Weight (approx.)	20,6 kg	45.4 lb
Warranty	6 years limited	

A: Alcons Audio B.V
De Corantijn 69
1689 AN Zwaag
The Netherlands

E: info@alconsaudio.com
W: www.alconsaudio.com
T: +31 (0) 229 28 30 90
F: +31 (0) 229 28 30 99