



# technical specifications CRS12/9040

## general

- Reference-quality immersive surround sound system
- Unique voicing match with Alcons pro-ribbon loaded screen systems
- 1:1 non-compressed sound reproduction, with up to 90% less distortion
- RBN401 pro-ribbon HF driver with exceptional intelligibility and dynamic output
- SIS™ pre-wired for very high damping and further reduced distortion (with ALC)
- Patented “Real-90” horizontal dispersion

## description

The CRS12/9040 is a 2-way passive-filtered full range loudspeaker, designed to meet all requirements of current and future immersive surround sound formats. Featuring the patented Alcons pro-ribbon driver technology, the CRS12 combines an exceptional clarity and intelligibility with an unusually high dynamic range, offering the most realistic sound reproduction possible.

The CRS12/9040 system consists of the RBN401 pro-ribbon driver for HF and a vented 12” woofer for LF reproduction. The CRS12 HF section has an 800W peak power input, enabling a 1:16 dynamic range with up to 90% less distortion from 1kHz. to beyond 20kHz.

The patented (90-degrees) horizontal offers a very wide and consistent coverage up to the highest frequencies; Very important for the imaging in side channels of immersive systems.



Due to the “compression-less” principle of the pro-ribbon transducer technology, the system has a fully linear response, with the same tonal balance at all SPL's for an intuitive 1:1 performance.

By utilizing identical MHF components as featured in Alcons' screen systems, a perfect voicing matching between screen- and surround system is realized, resulting in an exceptionally wide and uniform sound stage throughout the entire listening area.

The 10-degree slanted baffle together with the upside-down speaker arrangement and the pro-ribbon's response characteristic in the vertical plane, caters for a very smooth LF/HF blending, for both near and far located seats.

For full system performance, the CRS12 needs to be driven by an ALC controller-amplifier, delivering

maximum sound quality with increased headroom and utmost operation reliability. The CRS12 is available in 8 ohms and 4 ohms version, for maximum amplifier efficiency in individually-amplified immersive surround systems.

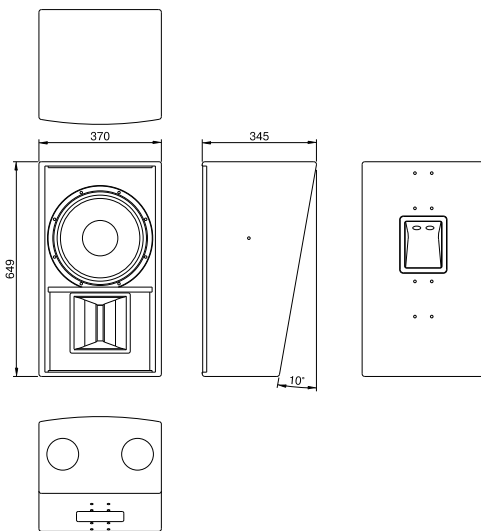
The Signal Integrity Sensing™ pre-wiring ensures complete cable/connector compensation between the CRS12 and ALC, significantly increasing response accuracy, regardless of cable length and system impedance, with tight and accurate mid and bass response as result.

Typical applications include (base layer) immersive surround sound systems for performing arts theaters, screening rooms, post-production facilities and dubbing stages, premium Home Cinemas and quality-conscious PLF cinemas.

The CRS12 is prepared for a universal bracket, with pattern: 4x M8 - 2"x 4.25" (51x108mm).

## technical specifications CRS12/9040

### dimensional drawing



### technical specifications

Frequency response	70 Hz - 20 kHz	(+/- 3 dB)
	55 Hz -	(+/- 10 dB)
Sensitivity nominal	100 dB (8 ohms, 200 Hz - 10 kHz)	
	99 dB (4 ohms, 200 Hz - 10 kHz)	
Nominal impedance	8 or 4 ohms	
Recommended drive	Sentinel3 min., Max. 3 pcs (8 ohms) / 1 pce (4 ohms) per channel (2.7 ohms / 4 ohms)	
Nominal SPL peak	126 dB (Sentinel3 8 ohms 200 Hz - 10 kHz)	
	128 dB (Sentinel3 4 ohms 200 Hz - 10 kHz)	
	132 dB (Sentinel10 8 ohms 200 Hz - 10 kHz)	
	133 dB (Sentinel10 4 ohms 200 Hz - 10 kHz)	
Dispersion H x V	90° x 40° or 40° x 90° (40° line source)	

### physical specifications

System	2-way, full range	
Filtering	passive	
Drivers LF	1x AW12.3ND-8 12" Neodymium, vented	
Drivers HF	1x RBN401 4" pro-ribbon driver	
Connectors	2x Speakon NL4 input/link	
Physical dimensions	mm	inches
Height	649	25.6
Width	370	14.6
Depth	345	13.6
Weight	18 kg	39,7 lb
Warranty	6 years limited	

A: Alcons Audio B.V  
De Corantijn 69  
1689 AN Zwaag  
The Netherlands

E: [info@alconsaudio.com](mailto:info@alconsaudio.com)  
W: [www.alconsaudio.com](http://www.alconsaudio.com)  
T: +31 (0) 229 28 30 90  
F: +31 (0) 229 28 30 99